

Type T-0.5

Typ T-0.5

DESCRIPTION

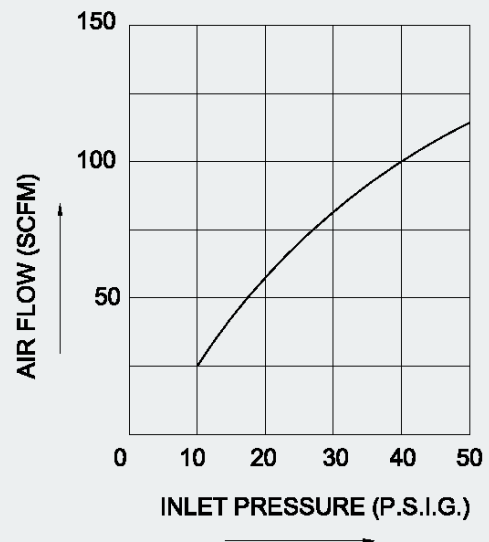
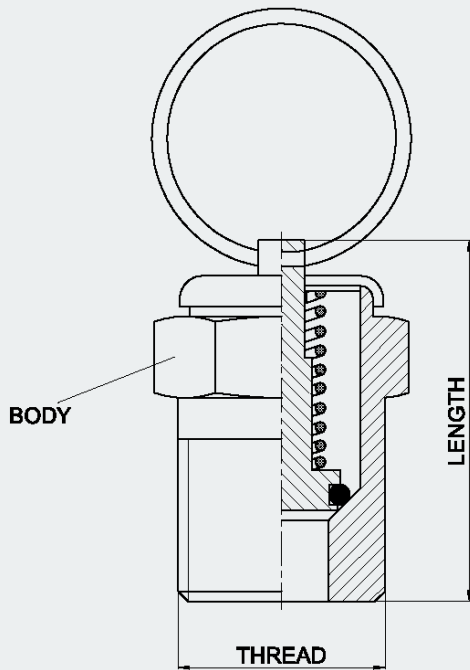
This type of Pressure Relief Valves features a one-piece brass housing. A stainless steel spring, factory selected to a predetermined rating, is designed to release pressure build-up from within a sealed tank. A rubber o-ring seals the valve. There is a stainless steel pull ring attached to the valve shaft to allow for manual operation.

These valves are designed to operate under environmental conditions encountered on outdoor applications. The exhaust port is protected by a "bug shield" cover which inhibits foreign matter from entering the valve body. The valve setting is stamped on the "bug shield" for fast and easy identification.

These types are suitable for hermetically sealed type transformers.

OPERATION

When gas pressure in the tank exceeds a specified limit, the valve automatically compresses the spring and drives the poppet valve, breaking the seal and venting potentially dangerous pressure. With the pressure reduced the valve automatically reseals itself to prevent entry of outside air.



Model	Pressure	Pressure Tolerance	Thread	Length	Body	Indicator
6010610	10 psig	+2 psig	1/2" 14NPT	1 9/16	7/8 HEX.	None

Änderungen können ohne Benachrichtigung vorgenommen werden. Wir behalten uns vor, Produkte abzuändern oder ganz aus dem Lieferprogramm zu streichen. Die Angaben in diesem Katalog sind ohne Gewähr.

Der Nachdruck bzw. die Kopie auch von Teilen dieser Dokumentation, sowohl auf elektronischem wie auch mechanischem Weg, bedürfen unserer ausdrücklichen schriftlichen Genehmigung.

© Copyright – Alle Rechte vorbehalten

Changes may be made without further notice. We reserve the right to change products or omit them from our program. The information given in this catalog is subject to change.

No part of this publication may be reproduced by any means, electronic or mechanical, including photocopying and microfilming, or utilized in any other form without permission in writing from the publisher.

© Copyright – All rights reserved

Flister Group GmbH & Co KG
Dorfäcker 4
D-91086 Aurachtal
Tel.: +49 (0) 91 32-30 01
Fax: +49 (0) 91 32-65 02
eMail: info@flister-elektrotechnik.de
web: www.flister-elektrotechnik.de