



Type T-10
Typ T-10

Type	Code No.	Code No.
T-10	61101	R1"
	61102	R1 1/2"
	61104	R2"
T-10 K1	63101	R1"
	63102	R1 1/2"
	63104	R2"

APPLICATION

The T-10 pressure safety valve is employed as a safety element in distribution transformers of low rating. In the event of an explosion-type pressure increase of the transformer tank, the excess pressure must be relieved immediately in order to avoid damage to the tank.

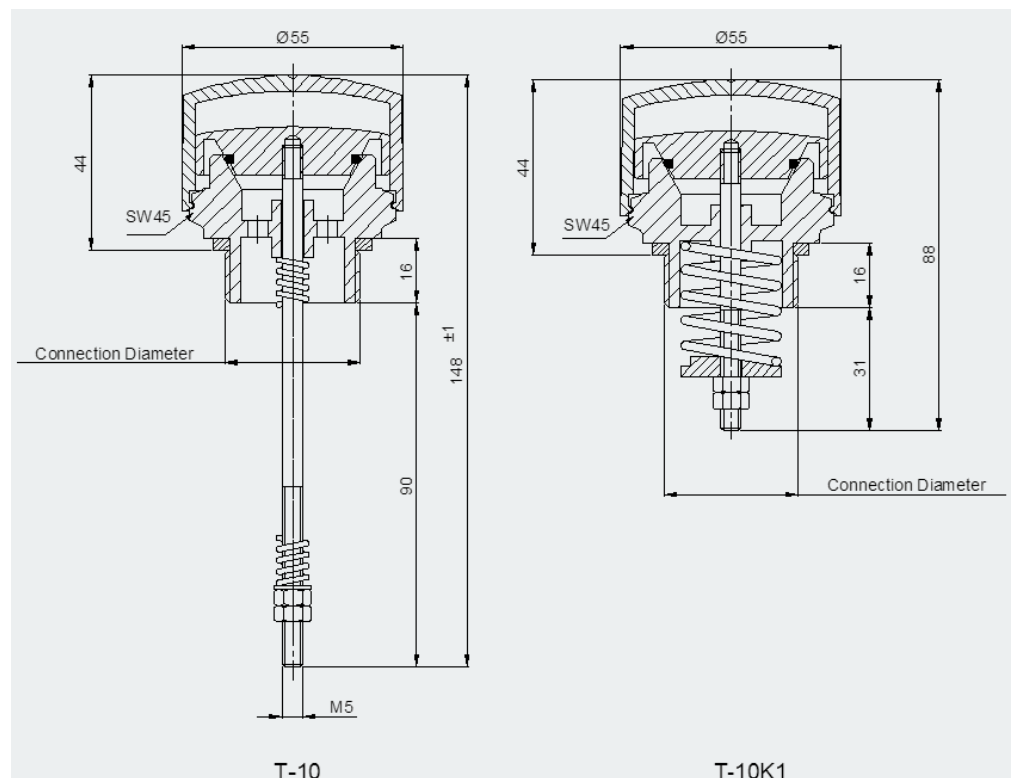
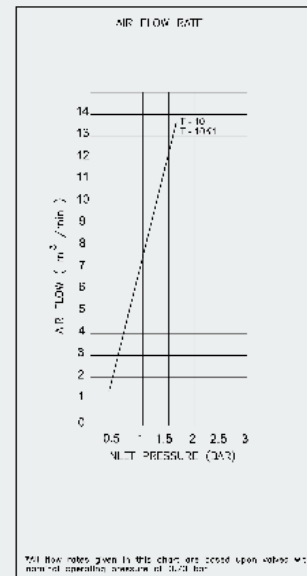
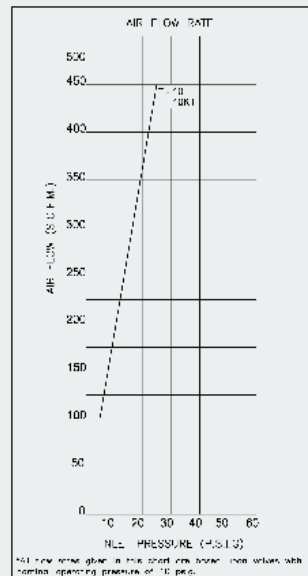
These types are suitable for hermetically sealed type transformers.

CONSTRUCTION

The T-10 pressure safety valve consists of a brass cap, a conical valve body, a rubber seal between the cap and body and a coil spring holding the whole system. As soon as relief pressure is reached, the valve cap lifts off and the excess pressure is relieved. The valve then shuts itself down again automatically.

The valve can be infinitely set from 0.2 to 0.7 bar.

The valve can also be equipped with a specially manufactured protective cap to prevent unauthorized operation of valve.



Änderungen können ohne Benachrichtigung vorgenommen werden. Wir behalten uns vor, Produkte abzuändern oder ganz aus dem Lieferprogramm zu streichen. Die Angaben in diesem Katalog sind ohne Gewähr.

Der Nachdruck bzw. die Kopie auch von Teilen dieser Dokumentation, sowohl auf elektronischem wie auch mechanischem Weg, bedürfen unserer ausdrücklichen schriftlichen Genehmigung.

© Copyright – Alle Rechte vorbehalten

Changes may be made without further notice. We reserve the right to change products or omit them from our program. The information given in this catalog is subject to change.

No part of this publication may be reproduced by any means, electronic or mechanical, including photocopying and microfilming, or utilized in any other form without permission in writing from the publisher.

© Copyright – All rights reserved

Flister Group GmbH & Co KG
Dorfäcker 4
D-91086 Aurachtal
Tel.: +49 (0) 91 32-30 01
Fax: +49 (0) 91 32-65 02
eMail: info@flister-elektrotechnik.de
web: www.flister-elektrotechnik.de