

Vertical Protection Relay

Hermetikrelais



For Hermetical Transformers

Für Hermetik-Transformatoren

APPLICATION

The Vertical Protection Relay was developed in conjunction with transformer manufacturers and electric utilities. Its main purpose is to monitor the oil level in hermetically sealed transformers. Falling oil level in the fill pipe of a hermetically sealed transformer operates a switch contact.

CONSTRUCTION

The Vertical Protection Relay replaces the pipe plug on the fill pipe of the transformer. The housing of the device is fabricated of an aluminium alloy, which provides a positive metal seal withstanding pressures of up to 0,5 bars. Vertical movement of the float is transmitted to the snapaction-alarm switch of the Vertical P. Relay. The float is made of an oil-resistant closed-cell material, which eliminates the risk of leaks in the float and guarantees constant buoyancy.

OPERATION PRINCIPLE

In a properly filled transformer the oil keeps the float at the top "stop" position. The float follows a falling oil level to a pre-determined height, at which the alarm switch operates. On rising oil level, above the "alarm" point, the switch resets.

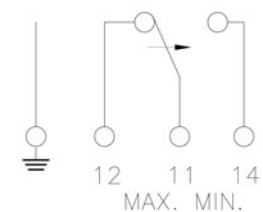
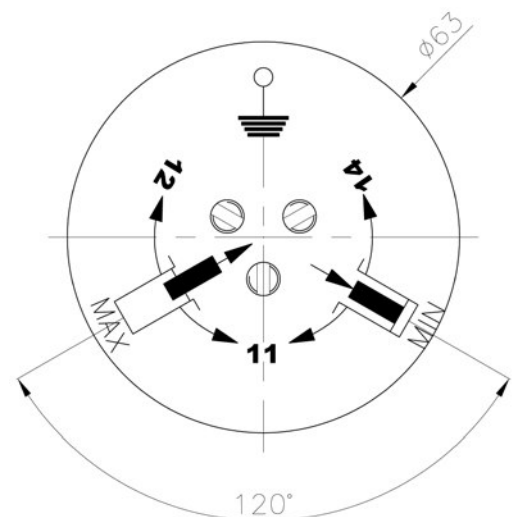
ASSEMBLY

The Vertical Protection Relay is installed in the fill pipe in place of R1½ pipe plug. This fill pipe should be vertical. Under no circumstances should an angle of 15° off vertical be exceeded. We recommend placing the fill pipe near one corner of the transformer cover to avoid trapping gas when filling the transformer with oil. When the transformer tank and fill pipe are completely filled, approximately 100cm³ of oil will need to be removed before installing the Vertical Protection Relay. This will avoid oil overflow during installation of the Vertical Protection Relay.

TECHNICAL DATA

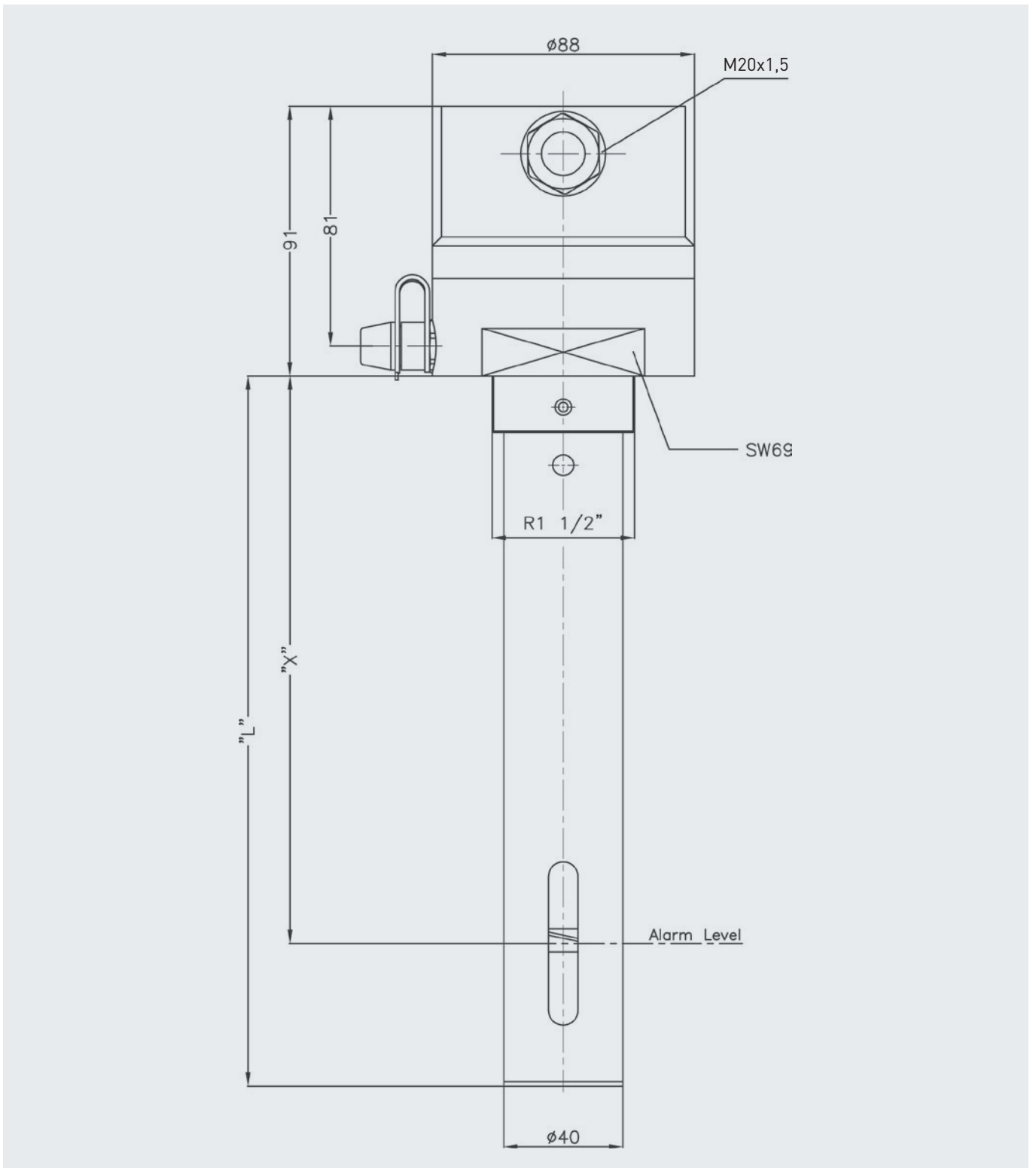
Switch rating:	5A 250VAC or 0,2A 250VDC
Max.ambient temperature:	100°C
Max.operating pressure:	0,5 bar

ELECTRICAL CONNECTION



Type	Code No.	X mm	L mm
HER1	291014	191	239
HER2	291015	156	204

For Hermetical Transformers
Für Hermetik-Transformatoren



Änderungen können ohne Benachrichtigung vorgenommen werden. Wir behalten uns vor, Produkte abzuändern oder ganz aus dem Lieferprogramm zu streichen. Die Angaben in diesem Katalog sind ohne Gewähr.

Der Nachdruck bzw. die Kopie auch von Teilen dieser Dokumentation, sowohl auf elektronischem wie auch mechanischem Weg, bedürfen unserer ausdrücklichen schriftlichen Genehmigung.

© Copyright – Alle Rechte vorbehalten

Changes may be made without further notice. We reserve the right to change products or omit them from our program. The information given in this catalog is subject to change.

No part of this publication may be reproduced by any means, electronic or mechanical, including photocopying and microfilming, or utilized in any other form without permission in writing from the publisher.

© Copyright – All rights reserved

Flister Group GmbH & Co KG
Dorfäcker 4
D-91086 Aurachtal
Tel.: +49 (0) 91 32-30 01
Fax: +49 (0) 91 32-65 02
eMail: info@flister-elektrotechnik.de
web: www.flister-elektrotechnik.de