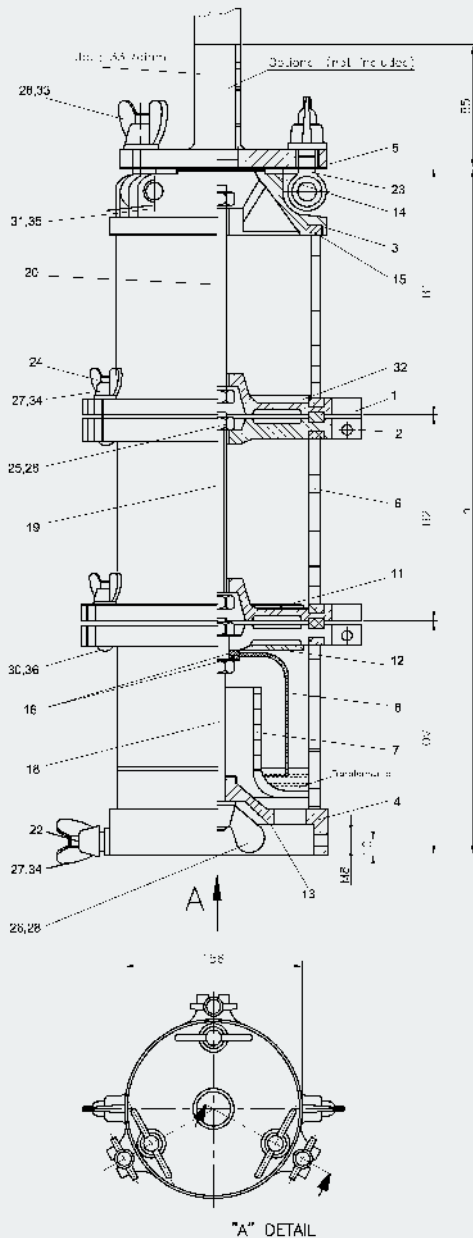


Moisture Holders DIN 42562

Luftentfeuchter
DIN 42562



| Item No. | Quantity | Description | Specification |
|----------|----------|------------------|-------------------------|
| 1 | 1 | Partition plate | DIN 42 562 – 1 |
| 2 | 2 | Partition plate | DIN 42 562 – 2 |
| 3 | 1 | Top section | DIN 42 562 – 3 |
| 4 | 1 | Bottom section | DIN 42 562 – 4 |
| 5 | 1 | Flange | DIN 42 562 – 5 |
| 6 | 2 | Glass cylinder | DIN 42 562 – 6 |
| 7 | 1 | Oil container | DIN 42 562 – 7 |
| 8 | 1 | Dome | DIN 42 562 – 8 |
| 11 | 2 | Perforated plate | DIN 42 562 – 11 |
| 12 | 1 | Perforated plate | DIN 42 562 – 12 |
| 13 | 1 | Perforated plate | DIN 42 562 – 13 |
| 14 | 1 | Gasket | DIN 42 562 – 14 |
| 15 | 8 | Gasket | DIN 42 562 – 15 |
| 16 | 2 | Gasket | DIN 42 530 – M1-250 |
| 18 | 1 | Bolt | M12x150 – A2.70 |
| 19 | 1 | Bolt | M12x130 – A2.70 |
| 20 | 1 | Bolt | M12x140 – A2.70 |
| 22 | 2 | Stud bolt | DIN 939 – M8x30-A2.70 |
| 23 | 3 | Eyebolt | DIN 444 – BM 12x55- |
| 24 | 6 | Eyebolt | DIN 444 – BM 8x40-A2.70 |
| 25 | 5 | Hexagon nut | DIN 934 – M12-A2.70 |
| 26 | 4 | Wing nut | DIN 315 – M12-A2.70-C |
| 27 | 8 | Wing nut | DIN 315 – M8-A2.70-C |
| 28 | 6 | Spring washer | B 12-nr St |
| 29 | 13 | Grooved pin | 2.5x5 – 5CrNi 1911 |
| 30 | 12 | Circlips | DIN 471 – 8x0.8-nrSt |
| 31 | 6 | Circlips | DIN 471 – 10x1-nrSt |
| 33 | 3 | Washer | DIN 125 – B 13-nrSt |
| 34 | 8 | Washer | DIN 125 – B 8.4-nrSt |
| 35 | 6 | Stud | DIN 42 562 – 35 |
| 36 | 3 | Stud | DIN 42 562 – 36 |

| Dimension | L1 | L2 | L3 | L4 |
|---|-----------|------|------|------|
| Silicagel amount kg | 1.2 | 2.4 | 3.6 | 4.8 |
| Height (h) | 342 | 489 | 636 | 783 |
| Weight of Moisture Holders without Silicagel (no filling) | 9.2 | 12.6 | 16.3 | 20.0 |
| | B1 | 1 | 1 | 1 |
| Assembly Groups | B2 | – | 1 | 2 |
| | OV | 1 | 1 | 1 |

| Type | NAK 1.2 kg (L1) | NAK 2.4 kg (L2) | NAK 3.6 kg (L3) | NAK 4.8 kg (L4) |
|----------|-----------------|-----------------|-----------------|-----------------|
| Code No. | 341 | 351 | 361 | 371 |

Änderungen können ohne Benachrichtigung vorgenommen werden. Wir behalten uns vor, Produkte abzuändern oder ganz aus dem Lieferprogramm zu streichen. Die Angaben in diesem Katalog sind ohne Gewähr.

Der Nachdruck bzw. die Kopie auch von Teilen dieser Dokumentation, sowohl auf elektronischem wie auch mechanischem Weg, bedürfen unserer ausdrücklichen schriftlichen Genehmigung.

© Copyright – Alle Rechte vorbehalten

Changes may be made without further notice. We reserve the right to change products or omit them from our program. The information given in this catalog is subject to change.

No part of this publication may be reproduced by any means, electronic or mechanical, including photocopying and microfilming, or utilized in any other form without permission in writing from the publisher.

© Copyright – All rights reserved

Flister Group GmbH & Co KG
Dorfäcker 4
D-91086 Aurachtal
Tel.: +49 (0) 91 32-30 01
Fax: +49 (0) 91 32-65 02
eMail: info@flister-elektrotechnik.de
web: www.flister-elektrotechnik.de