



Magnetic Oil Level Indicator (FORM A)

Magnetischer Ölstandsanzeiger (FORM A)

APPLICATION AND CONSTRUCTION

Form-A Oil Level Indicators are used in transformers of powers less than 5000 kVA for the purpose of monitoring their oil level. Indicator part has no contact with the oil. Oil level indicators do not allow oil leakage at temperatures of 110°C, 0,5 bar effective pressure and vacuum.

Case: Injected Aluminum, electrostatic powder painted (RAL 7033 or RAL 7001)

Indicator dial: Aluminum sheet, coated with black paint and yellow serigraphy

Pointer: Yellow painted brass

Indicator glass: Polycarbonate (UV resistant)

Joint Gasket: Nitrile Rubber, hardness: 70 Shore A

Float: Oil resistant, closed cellular type special plastic foam

OPERATION PRINCIPLE

The radial movement of the float is transmitted magnetically to the pointer. The magnet connected to the float-lever mechanism drives the polarized indicator magnet connected to the pointer.

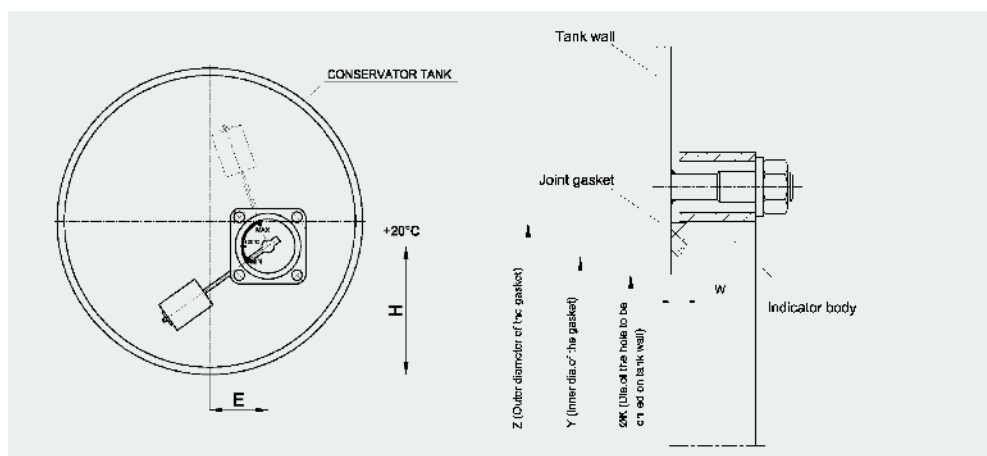
DIMENSIONS AND ASSEMBLY

Table of Dimensions

Types	Code	S	T	U	V	R	Z	Y	W	K
KSS A	511	50	60	63	20	8.4	52	38	4	Ø 35
KSS B	521	65	80	85	27	7	70	62	4	Ø 40
KSS F	534	50	Ø 80	68	20	7	55	46	5	Ø 40
KSS G	535	63	Ø 100	85	27	7.5	70	62	4	Ø 40

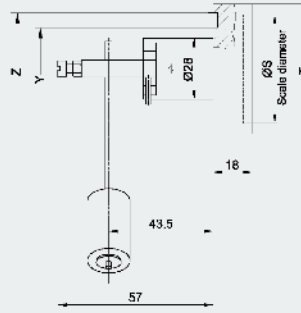
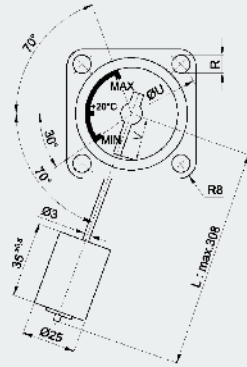
Recommended Installation Parameters

FLOAT LEVER LENGTH (L)*	88	120	152	190	245	308
CONSERVATOR TANK DIAMETER (D)	160	200	250	315	400	500
ECCENTRIC DEVIATION (E)	25	40	60	90	130	160
INSTALLATION HEIGHT (H)	75	88	107	130	160	200

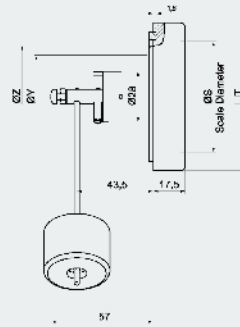
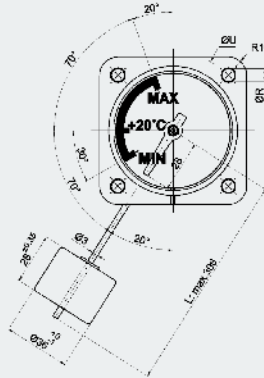


* Float levers are delivered with 308 mm length as standard. Their length can be freely adjusted by the customer during the installation from min. 88 mm up to 308 mm.

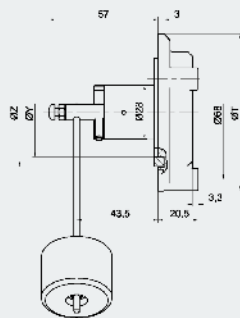
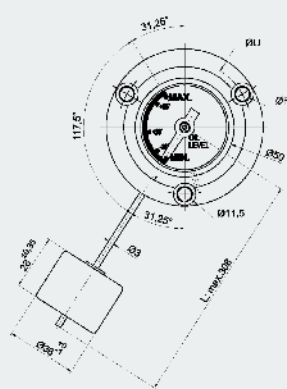
KSS-A



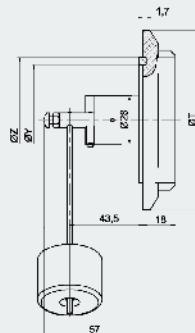
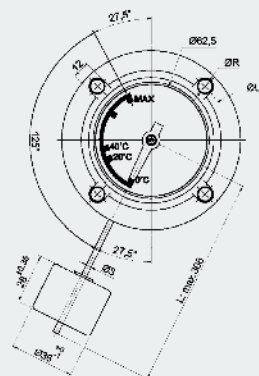
KSS-B



KSS-F



KSS-G



Änderungen können ohne Benachrichtigung vorgenommen werden. Wir behalten uns vor, Produkte abzuändern oder ganz aus dem Lieferprogramm zu streichen. Die Angaben in diesem Katalog sind ohne Gewähr.

Der Nachdruck bzw. die Kopie auch von Teilen dieser Dokumentation, sowohl auf elektronischem wie auch mechanischem Weg, bedürfen unserer ausdrücklichen schriftlichen Genehmigung.

© Copyright – Alle Rechte vorbehalten

Changes may be made without further notice. We reserve the right to change products or omit them from our program. The information given in this catalog is subject to change.

No part of this publication may be reproduced by any means, electronic or mechanical, including photocopying and microfilming, or utilized in any other form without permission in writing from the publisher.

© Copyright – All rights reserved

Flister Group GmbH & Co KG
Dorfäcker 4
D-91086 Aurachtal
Tel.: +49 (0) 91 32-30 01
Fax: +49 (0) 91 32-65 02
eMail: info@flister-elektrotechnik.de
web: www.flister-elektrotechnik.de